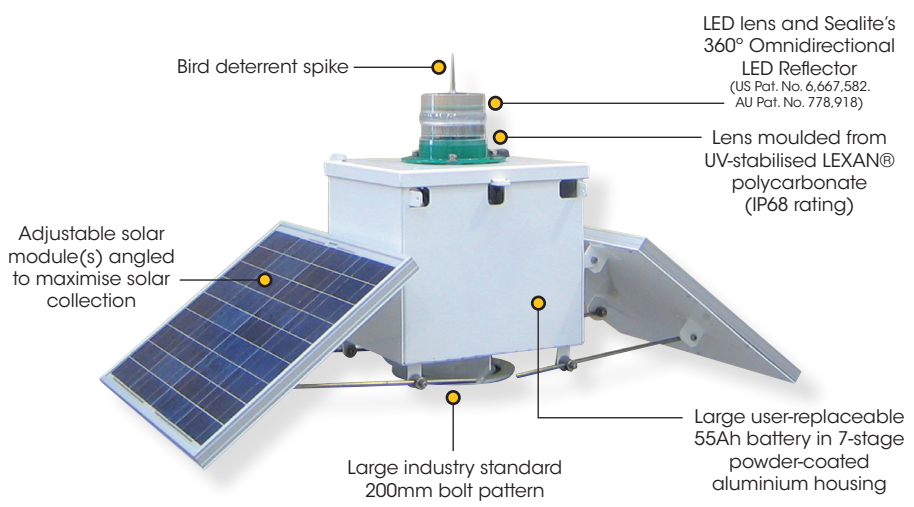
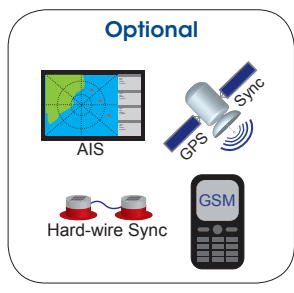


5-7NM+ Complete Marine Lantern Assembly

SL-125-C Type 2 Complete

This equipment complies with requirements of the U.S. Coast Guard in 33 CFR part 66



Shown with optional 2nd solar module

The Sealite Advantage

- Complete lantern assembly with large battery housing for low sunlight regions or high duty cycles
- SL-125 light head available with up to 2 tiers of ultra-high intensity LEDs for increased light intensity
- 256 user-adjustable flash characteristics
- Multiple intensity settings
- Impact resistant battery housing
- Vertical light emissions to maintain visibility when passing adjacent to light



SL-125 light heads to suit intensity requirements

The SL-125-C Type 2 Complete Lantern Assembly incorporates a larger battery housing to the standard SL-125-C Type 1 assembly, enabling greater autonomy particularly in lower sunlight regions.

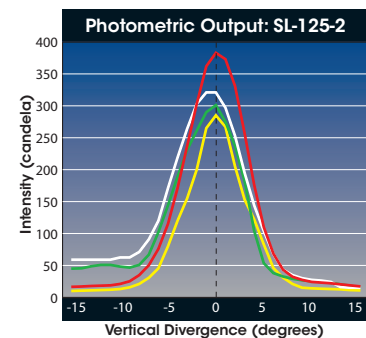
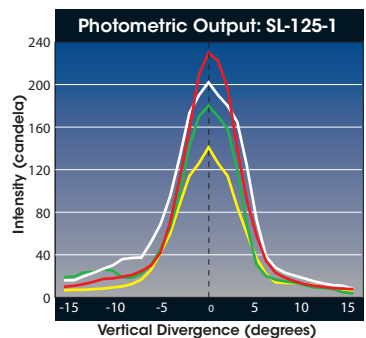
The SL-125-C Type 2 offers unique flexibility, and is available in varying configurations to suit a range of installation and intensity requirements. The powder-coated 3mm aluminium housing is laser-cut, and robotically folded for guaranteed precision every time.

One or two 40watt solar module(s) are fitted to power longer-range requirements or ancillary equipment, with large 55Ah battery.

A modular design, all components of the system are replaceable in the unlikely event of damage to the unit. The battery is accessed through the top of the lantern assembly, via a robust swing-hinge.

Access to the user-adjustable flash and intensity settings is also achieved through this design.

The solar modules are extendable to 51 degrees as standard, with the option to increase in equatorial regions.



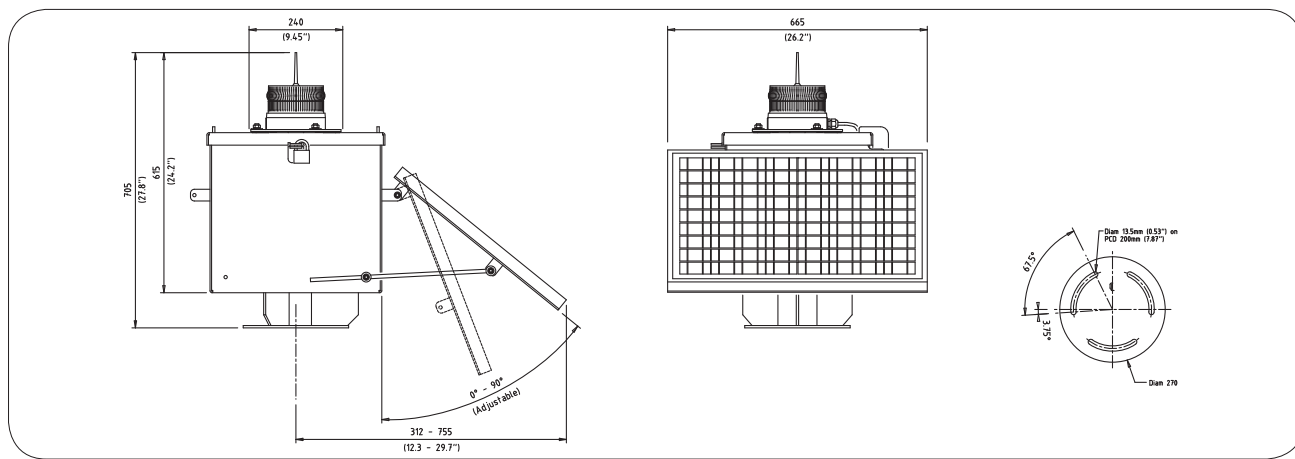
Typical Maximum Intensity (cd)		
	SL-125-1 (1 tier)	SL-125-2 (2 tier)
RED	230	383
GREEN	180	301
WHITE	202	321
YELLOW	141	285

ORDER CODES: SL-125-C Type 2

SL-125-1-CT2-1	SL-125 1-Tier. Complete Lantern Assembly. Single 40w Solar Module.
SL-125-1-CT2-2	SL-125 1-Tier. Complete Lantern Assembly. Dual 40w Solar Modules.
SL-125-2-CT2-1	SL-125 2-Tier. Complete Lantern Assembly. Single 40w Solar Module.
SL-125-2-CT2-2	SL-125 2-Tier. Complete Lantern Assembly. Dual 40w Solar Modules.

5-7NM+ Complete Marine Lantern Assembly

SL-125-C Type 2 Complete



SL-125-C lanterns installed at marina, Venice, Italy



Port of Geelong, Australia

SPECIFICATIONS* * SL-125-C Type 2

<p>Light Characteristics</p> <p>Light Source Available Colours Typical Maximum Intensity (cd)† Visible Range (NM)</p> <p>Horizontal Output (degrees) Vertical Divergence (degrees) Reflector Type</p> <p>Available Flash Characteristics Intensity Adjustments LED Life Expectancy (hours)</p> <p>Electrical Characteristics</p> <p>Current Draw (mA) Circuit Protection Nominal Voltage (V) Autonomy (days) Temperature Range</p> <p>Solar Characteristics</p> <p>Solar Module Type Output (watts)</p> <p>Charging Regulation</p> <p>Power Supply</p> <p>Battery Type Battery Capacity (Ah) Nominal Voltage (V)</p> <p>Physical Characteristics</p> <p>Body Material Lens Material Lens Diameter (mm/inches) Lens Design Mounting Height (mm/inches) Width (mm/inches) Mass (kg/lbs) Product Life Expectancy</p> <p>Certifications</p> <p>CE</p> <p>IALA Quality Assurance Waterproof</p> <p>Intellectual Property</p> <p>Patents Trademarks</p> <p>Warranty *</p> <p>Options Available</p>	<p>SL-125-1 or SL-125-2 Red, Green, White, Yellow, Blue Refer to Typical Maximum Intensity Table for SL-125-1 or SL-125-2 AT @ 0.74: 5-7+ AT @ 0.85: 6.3-9.3+ 360 9 Omnidirectional 360° LED Reflector (US Pat. No. 6,667,582. AU Pat. No. 778,918) Up to 256 IALA recommended (user adjustable) Adjustable in 25% increments >100,000</p> <p>Refer to Sealite Power Calculator Reverse polarity 12 >20 (14 hour darkness, 12.5% duty cycle) -40 to 80°C</p> <p>Multicrystalline 40 (SL-125-1-CT2-1, SL-125-2-CT2-1, SL-125-3-CT2-1 and SL-125-4-CT2-1) 80 (SL-125-1-CT2-2, SL-125-2-CT2-2, SL-125-3-CT2-2 and SL-125-4-CT2-2) Microprocessor controlled</p> <p>Gel SLA 55 12</p> <p>7-stage powder-coated aluminium LEXAN® Polycarbonate - UV-stabilised 150 / 5 7/8 External optics with interior flute design 200mm bolt pattern From 570 / 22 1/2 665 / 26 1/4 From 45 / 99 1/4 Up to 12 years</p> <p>EN61000-6-3:2001. EN61000-6-1:2001. EN55022. EN61000-4-2:1995. EN61000-4-3:2002 USCG specification HSCG23-05-RE43013, including Change 1. Signal colours compliant to IALA E-200-1 ISO9001:2008 IP68 light head. IP66 battery compartment</p> <p>US Pat. No. 6,667,582. AU Pat. No. 778,918 SEALITE® is a registered trademark of Sealite Pty Ltd 3 years</p> <ul style="list-style-type: none"> • SL-155 Series Lantern • Single or dual solar module(s) • 100Ah battery • 60watt solar module (single or dual configuration) • GPS Synchronisation • Hard-wire Synchronisation • AIS Remote Monitoring • GSM Monitoring & Control System • Extended base post • 10 degree lens (SL-125-1)
---	---



* Specifications subject to change or variation without notice
* Subject to standard terms and conditions
† Intensity setting subject to solar availability